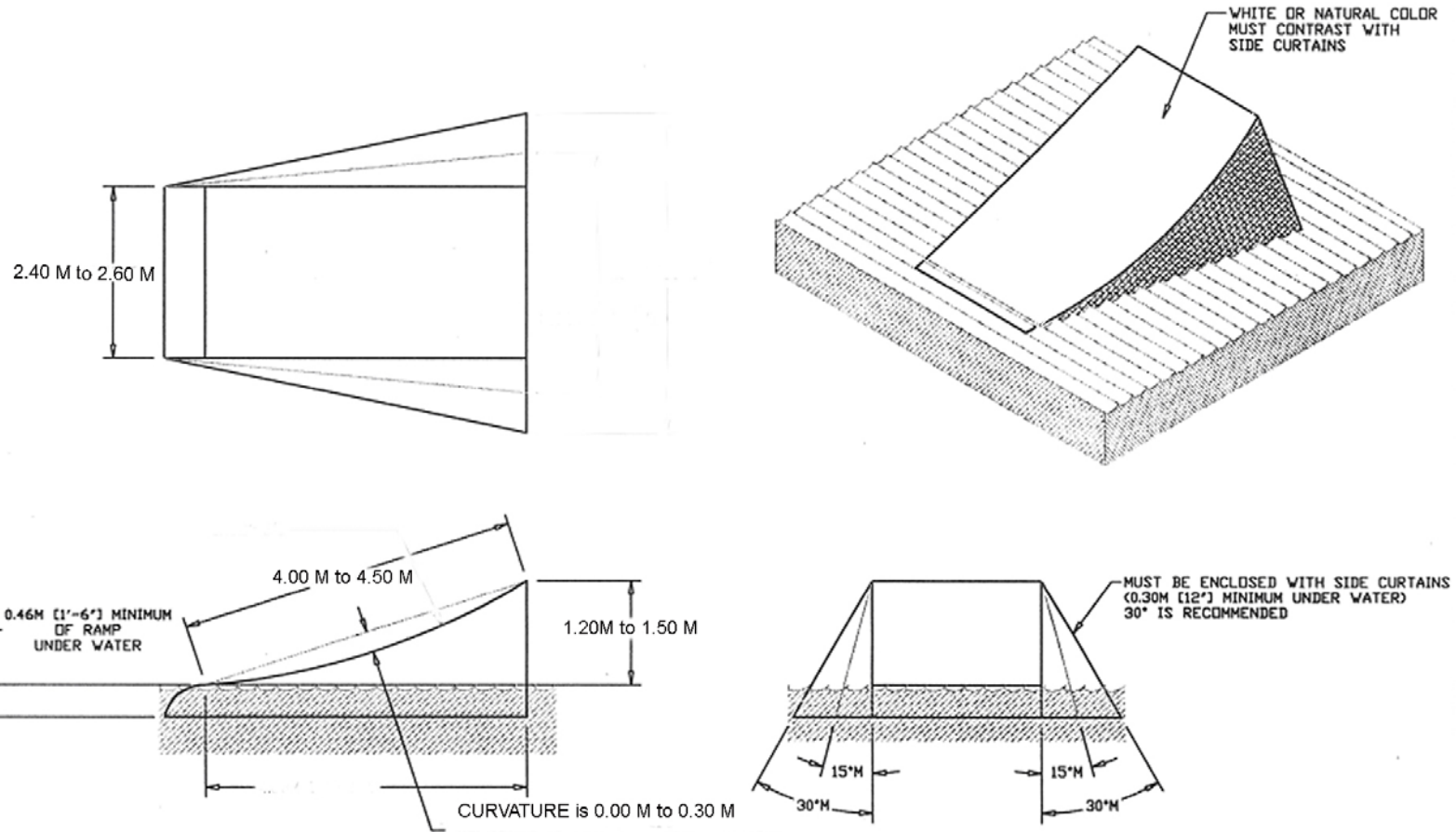
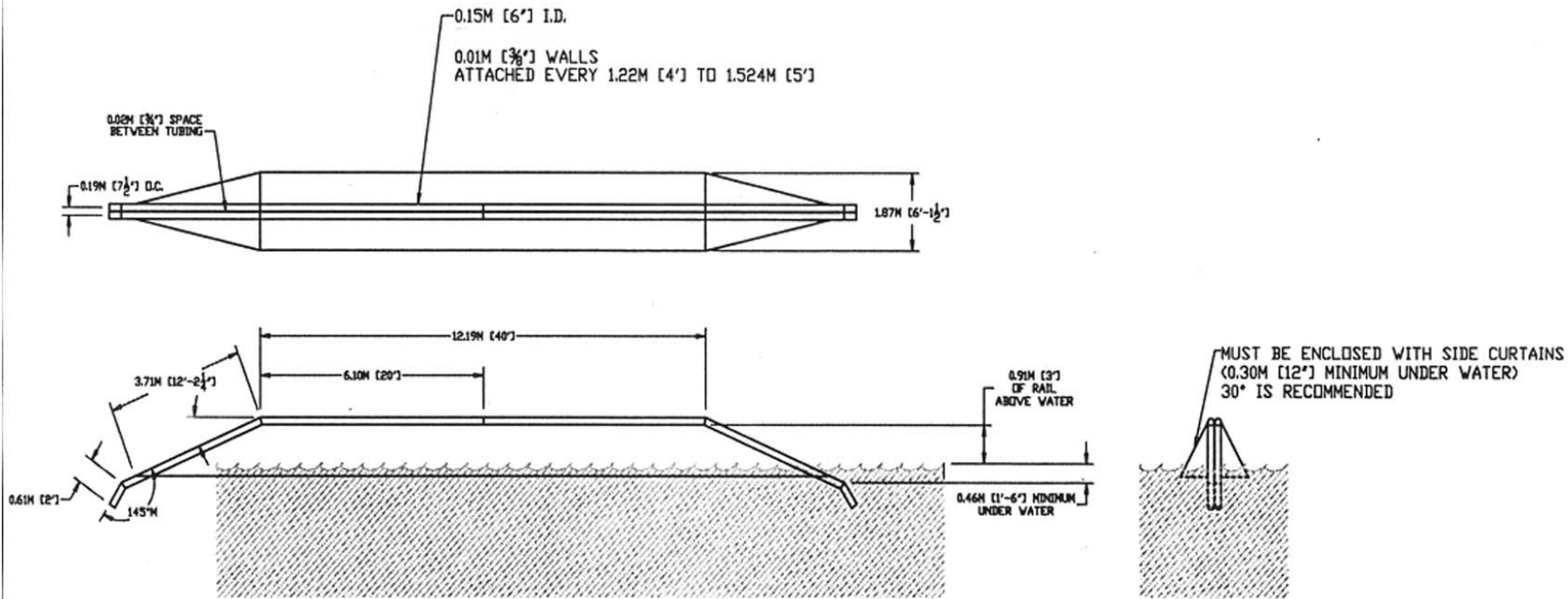


KICKER

SURFACE MATERIAL : -UHMW (ULTRA HIGH MOLECULAR WEIGHT POLYETHYLENE)
-HDPE (HIGH DENSITY POLYETHYLENE)



SLIDER



WAKESKATE

Spine :

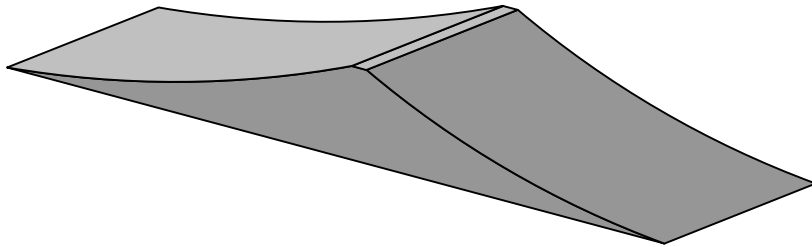
L : From 4.0 M to 4.5 M

l : From 2.0 M to 2.5 M

H : From 45 cm to 65 cm

μ : 20° to 25°

Curvature is 0.15 M from straight line

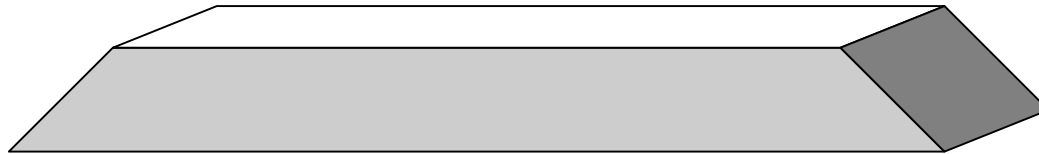


Curb 10m:

l : 10m(top level) 10.40 (water level)

L : 45cm

H : 45cm



Rainbow 10-12 m :

L: From 10 m to 12 m

l: From 1.80 m to 2.00

H : From 0.70 m to 0.90 m

Angle d'attaque μ : From 12° to 22°

