



**2006
ADDITIONAL
RULES
WAKEBOARD
BOAT**

INDEX

1	General Information	3
2	European Championships / World Championships Rules	4
3	Categories.....	4
4	Running Order & Heat System.....	5
5	Equipment.....	7
6	Re-Rides	7
7	Protests.....	8
8	Use of Video	8
9	Competition Format	8
10	Courses.....	10
11	Obstacles	12
12	Boat Speed & Rope Length	14
13	Falls	14
14	Homologation Fees.....	15
15	Registration.....	16
16	Officials	16
17	European Wakeboard Ranking List	16
18	Rules for Wakeboard Judges.....	16
19	European Championships.....	19
20	Bye-Laws (Partly).....	23
21	Guidelines (Partly)	25
22	Letter of Agreement and Obligations for Titled Events (Partly).....	27

1 GENERAL INFORMATION

1.1 Applicability of the Rules

The rules set forth here govern wakeboard or wakeskate competitions sanctioned by the International Water Ski Federation. It is requested that Federations establish rules as close to these rules as possible. Whenever the masculine is used, the same shall be construed as meaning the feminine where the context so requires.

1.2 Exceptions to the Rules

Where compliance with the rules is not feasible, the Chief Judge shall with the approval of the majority of the Judges, make the necessary changes. Such changes will be announced at a rider's meeting, and by posting. The Chief Judge shall send a report to the Wakeboard Council to explain these changes to the rules. Where the rules are definite and feasible, a vote of the Judges to decide whether to enforce any provision is prohibited.

1.3 Drug Testing

All competitors must agree to be subject to doping control. Specific policies and procedures regarding doping control shall be detailed in the Medical Regulations of the International Water Ski Federation.

1.4 Unsportsmanlike Conduct

Any rider (or his representative) or official whose conduct is deemed unsportsmanlike or whose conduct may cause discredit to the IWSF, either on or off the competition site, before during, or after the competition, may be disqualified from all the competition including completed events and/or be subject to a fine to be determined by the IWSF-EAME bureau, by a two-thirds majority vote of the Judges. Any and all infractions can also be punishable by disqualification of the whole team.

Unsportsmanlike conduct includes, but is not limited to: use of vulgar language in public, public tantrums, not riding to fullest potential, failure to attend designated functions or events, consuming alcoholic beverages during the competition, competing under false pretences, concealing significant injuries or health problems.

1.5 Licenses

Each National Federation must provide to their national and international riders the EAME wakeboarding license, which permit their athletes to take part at international events, with the exception of the titled events (European Championships or World Championships). National Federations can order the licenses through the EAME Wakeboard Council website www.wakeboardcouncil.com, and they can get the password by asking the EAME bureau. National Federations also have to provide the license to their national and international officials. From 2004 the license is free of charge.

1.6 Discharge of Liability

On each national or international event, all competitors, or if the rider is under 18 years of age its parent or team captain, must sign a discharge of liability for the organizer and the host federation in case of accident, material damages, or moral or physical tort, in the domain of the competition. All organizations, federations, persons or institutions involved in the organization of an event who

encounter an illicit deed of a competitor, are obligated to use the local Constabulary or judicial authorities in order to judge all litigations and charges against the competitor. A copy of the filed report shall be forwarded to his own federation who will prohibit the competitor's access to all events as long as the litigations are not definitely settled.

1.7 Suggestions

Riders are encouraged to bring up suggestions and questions of their concern to any judge or to the Wakeboard Council. Suggestions regarding these rules must be brought up before November 1st for changes of the rules for the following year.

2 EUROPEAN CHAMPIONSHIPS / WORLD CHAMPIONSHIPS RULES

Rules for the European Championships and IWSF Worlds are available at the secretary or www.wakeboardcouncil.com.

3 CATEGORIES

A rider's age as of 1st. January 2006 (of the current year) will be used to determine age bracket.

3.1 Trolls (Boys & Girls)

9 years old and under. If a rider was born in the following years, then they qualify for this category:

If a rider was born in 1996 and after.

3.2 Boys

10 to 14 years old. If a rider was born in the following years, then they qualify for this category:

1995 - 1994 - 1993 - 1992 - 1991

3.3 Girls

10 to 14 years old. If a rider was born in the following years, then they qualify for this category:

1995 - 1994 - 1993 - 1992 - 1991

3.4 Junior Men

15 to 18 years old. If a rider was born in the following years, then they qualify for this category:

1990 - 1989 - 1988 - 1987

3.5 Junior Ladies

15 to 18 years old. If a rider was born in the following years, then they qualify for this category:

1990 - 1989 - 1988 - 1987

3.6 Open Division - Men

No age restriction.

3.7 Open Division - Ladies

No age restriction.

3.8 Masters - Men

30 years old and over: If a rider was born in 1975 and before.

3.9 Masters - Ladies

30 years old and over: If a rider was born in 1975 and before.

3.10 Masters 2 - Men

39 years old and over: If a rider was born in 1966 and before.

This category can only be opened if there are enough riders to open both Master - Men and Masters 2 - Men.

3.11 Masters 2 - Ladies

39 years old and over: If a rider was born in 1966 and before.

This category can only be opened if there are enough riders to open both Master - Ladies and Masters 2 - Ladies.

4 RUNNING ORDER & HEAT SYSTEM

Wakeboard or wakeskate competitions will use a heat system. All possibilities are available onto www.wakeboardcouncil.com or with the calculation program.

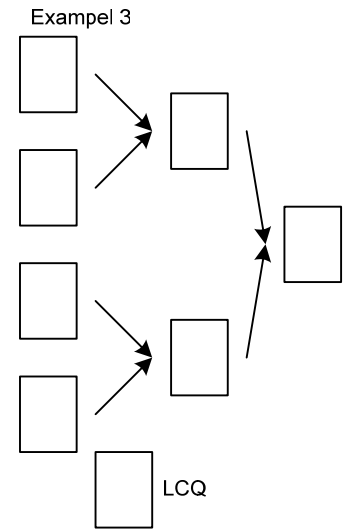
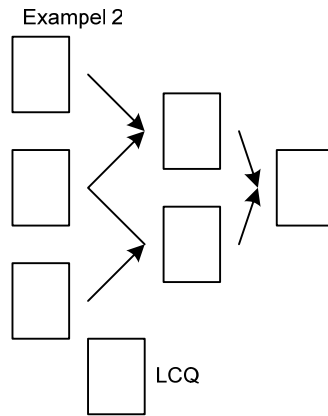
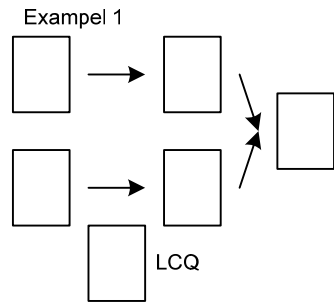
In qualifying rounds, running order will be randomly determined by ping pong balls or by a similar system. The number of riders in each heat is dependent on the total number of riders entered. A percentage of the riders from each heat will then go through to the, semi-finals and finals.

No rider's number limit in the qualifying rounds. In case of more than 40 riders in the qualification round, a maximum of 40 riders will then go through to the, semi-finals and LCQ.

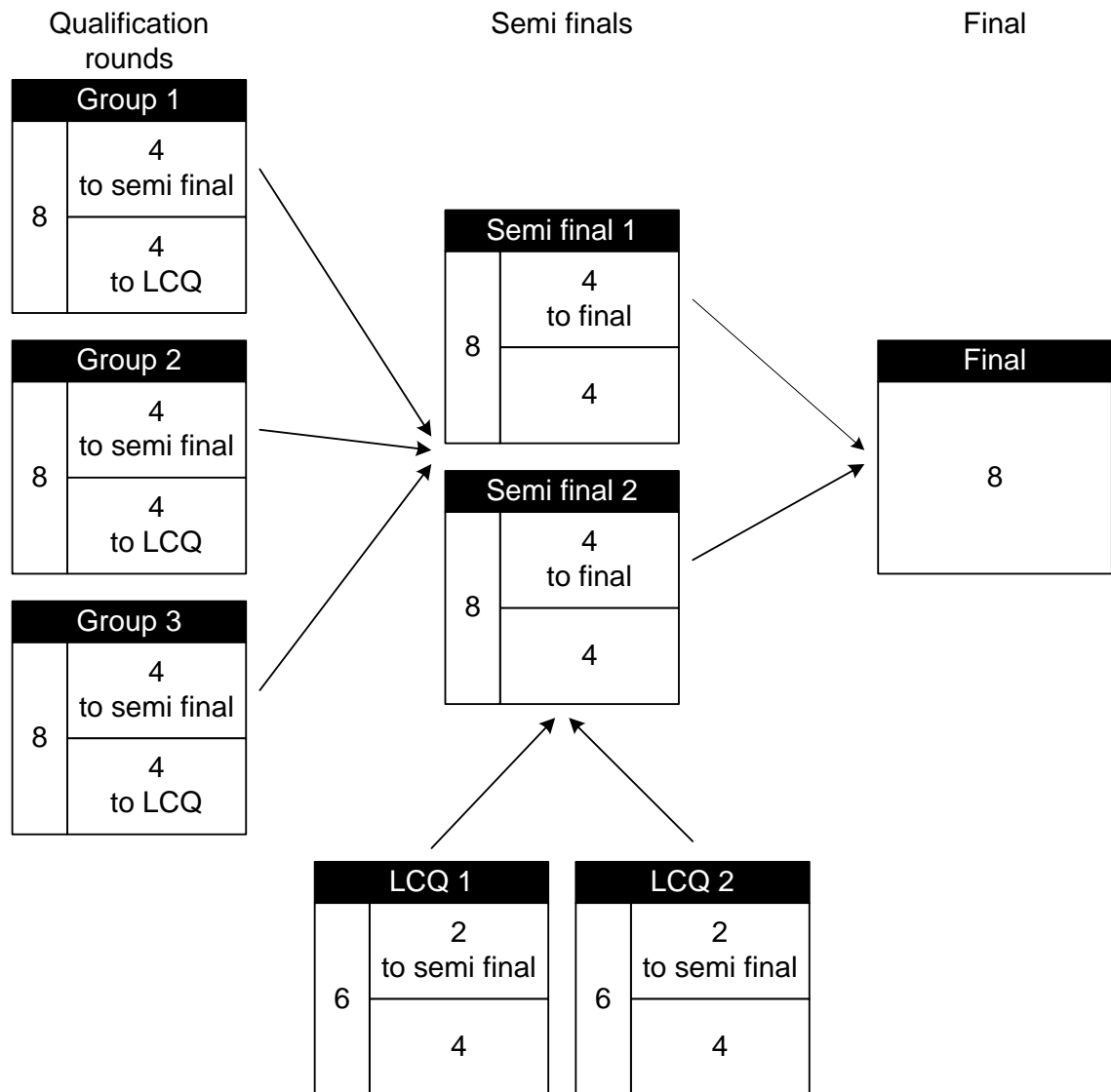
A rider will be disqualified from all the competition if he fails to be on hand and ready to ride when the boat is prepared to start. That means when the rope is fixed and the boat starts to be in line with the course. Should a rider be disqualified for any reason, he will not be permitted to participate in the remainder of the competition, ie. If he misses his turn in the qualifying rounds, he will not be permitted to compete in the last chance qualifiers.

In the case where a rider has been disqualified, a one-minute delay shall be granted to the next rider in the starting order if he was not on the starting dock at the time of disqualification. If more than one rider has been disqualified, the time allotted to the next rider shall be one minute for each rider disqualified.

Simplified examples:



Heat system for 24 riders:



5 EQUIPMENT

5.1 General

All personal equipment is subject to the approval of the Chief Judge and Safety Director.

5.2 Life Vest

All competitors must wear a life vest. It is responsibility of each rider to ensure their life vest meets the following specifications:

1. It must float the rider
2. It must be constructed so as to provide adequate protection from impact damage to the ribs and internal organs.

5.3 Towlines

Riders just provide their own handles and ropes which must be of a non-stretch material.

5.4 Helmets

Riders must wear a suitable helmet if they choose to hit any of the obstacles in the wakeboard or wakeskate course. If a rider hits an obstacle during the competition without a helmet, he will be disqualified from the all competition. If a rider wishes to hit any obstacles, he must start his routine with a helmet on.

5.5 Boats

The total additional weight in the boat will be determined by the Chief Judge and the Chief Driver.

5.6 Damaged Equipment

A rider is fully responsible for his personal equipment. If a rider has damaged his equipment, he will have four minutes to repair the equipment. The Chief Judge will have the final say as to whether the equipment has failed. The damaged equipment can be repaired at the dock only. It is the responsibility of the driver to go directly to the dock. The time begins when the rider gets onto the dock. The rider must have both feet back in his bindings before the 4 minutes elapses or his routine is over.

In the event that a rider realises his equipment has been damaged, he may throw the handle to indicate that he wishes to repair his equipment. This will, however, constitute one fall if it occurs in the wakeboard course. After the equipment has been repaired, the rider will resume his routine at the point where he threw the handle. If a rider falls and then discovers that his equipment is damaged, the boat will resume the routine at the location of the fall after the equipment has been repaired.

6 RE-RIDES

It is the sole responsibility of the rider to ask for a rerun.

When unfair conditions occurs, which, in the opinion of the chief judge and a majority of the Boat Judges, adversely affects a rider, he shall be granted the option of a re-ride only on the pass affected. Re-rides will not be granted if a rider's personal equipment fails.

Re-rides must be taken immediately. If a rider is given a second re-ride, he may elect to take a five-minute rest, during which the next rider in order will perform his routine.

The re-ride shall be taken at the conclusion of the rider's routine during which the five-minute rest period expires.

Requests for re-rides may be initiated by a Boat Judge for the event before the next rider starts or may be initiated, as soon as possible, by the rider or his team representative and shall be decided as soon as practicable thereafter. If, in the opinion of the Boat Judges for the event, the request was not initiated as soon as possible after the rider has ridden, the request shall be denied.

Re-ride requests will not be permitted if they are based on variations in weather or water conditions.

7 PROTESTS

Protests shall be made to the Chief Judge only by a team representative. Protest must be made in writing, must state the reason(s) for the protest, and must be filed as soon as possible, but no later than 10 minutes after the occurrence or after the results of the event are announced.

Protests shall be allowed only for failure of the judges and calculators to comply with these rules and only if this non-compliance with rules have an adverse effect on a rider. No protest shall ever be permitted on a judgement decision by the Boat Judges.

A correction of an error in the computation of scores shall not be considered a protest and the correction shall be made on the approval of the Chief Judge and Calculator within 10 minutes after the results are announced. It's up to the Chief Judge only to agree the inspection of scoring sheets

Protests must be accompanied by the approximate equivalent in local currency of 50 Euros - This amount will be refunded if the protest is considered reasonable or upheld by the Judges.

8 USE OF VIDEO

Due to the subjective scoring nature & spirit of wakeboarding or wakeskating, video footage of any kind will not be used by Judges, riders or team representatives to resolve any disputes. Judges can only use the video footage before scoring a rider's routine.

9 COMPETITION FORMAT

9.1 General

Each rider shall be allowed two passes through the wakeboard or wakeskate course during which time he may perform any routine he chooses. He will be judged on three subjective style categories, (or four subjective style categories if obstacles are used), to arrive at a single combined score.

9.2 Judging of the routine begins

9.2.1 Wakeboard

When the rider enters the wakeboard course and ends when the rider exits the wakeboard course, falls for the last time, or completes his/her double-up (finals only).

9.2.2 Wakeskate

When the rider enters the wakeboard course and ends when the rider exits the course or falls for a third time. There is no double up for Wakeskate.

If a rider chooses to perform a trick off the jetty, and announces so well in advance, this trick will be counted for, but judging of the routine begins when the rider enters the course.

Riders are encouraged to perform a smooth flowing routine with a wide variety of tricks. Each manoeuvre should be executed as cleanly as possible and taken to its limit.

9.3 Boat (Scoring) Judges

The Chief Judge will designate three Boat Judges, to be seated in the tow boat, to score each rider's routine.

9.4 Scoring

Judges will award a maximum of 100 points to each rider based on their overall impressions of the routine performed. The judges will score each rider in each of the following categories:-

9.5 Scoring - Course Without Obstacles

9.5.1 Execution - 33.3 Points

This reflects the level of perfection to which each manoeuvre was performed, as well as the successful completion of the routine with a minimum number of falls

9.5.2 Intensity - 33.4 Points

This reflects how big the moves were performed, as well as the technical difficulty of the tricks executed.

9.5.3 Composition - 33.3 Points

This reflects the overall composition of the routine in terms of the rider's ability to perform a variety of manoeuvres in a flowing, creative sequence

9.6 Scoring - Course With Obstacles

9.6.1 Execution – 25 Points

This reflects the level of perfection to which each manoeuvre was performed, as well as the successful completion of the routine with a minimum number of falls

9.6.2 Intensity – 25 Points

This reflects how big the moves were performed, as well as the technical difficulty of the tricks executed.

9.6.3 Tricks Composition – 25 Points

This reflects the overall composition of the routine in terms of the rider's ability to perform a variety of manoeuvres in a flowing, creative sequence.

9.6.4 Obstacles – 25 Points

The 25 extra points reflects the execution, intensity and composition of the rider on the obstacles.

9.7 Calculation of Scores

The average method of calculating will be used. Scores from all categories (Execution, Intensity, Composition & Obstacles) of a rider's routine are added

together to produce a judge's total score. All three judges' total scores are then averaged to produce a final score for a rider.

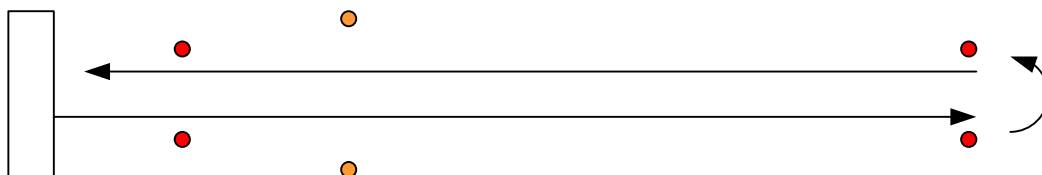
10 COURSES

10.1 Wakeboard Freeride Course

10.1.1 Course Buoys

The Chairman of the Wakeboard Council will specify the buoys to be used for the wakeboard course.

10.1.2 Course Dimensions - Without Obstacles



A pair of start buoys 20 meters apart shall establish the approximate area of the beginning of the wakeboard course from each direction. The end of the pass shall be signified by another pair of buoys 20 metres apart. The distance from the start and end buoys, will be approximately 370 metres (38 seconds at 35 km/hour or 22 miles/hour). These course dimensions will be used where practical. Bright orange buoys are recommended for the start and end buoys. A rider's routine will begin: after he rides around either the right or left hand start buoy. The rider's pass will not be scored if he does not ride around the buoys on both his/her first or second pass.

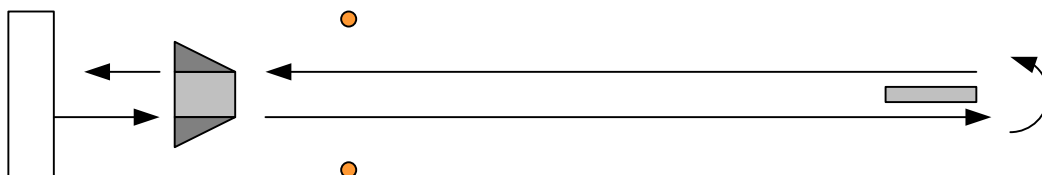
10.1.3 Cut-Off Buoys

A pair of cut off buoys, approximately 50 metres apart, will indicate the point after which the tow boat will not be able to get up to speed for a rider to continue his run in the second pass. Bright green buoys will be used for the cut off buoy. The position of the cut off buoys will be determined by the Chief Judge and Chief Boat Driver.

10.1.4 Proceeding Through the Two Wakeboard Passes

On the first pass the boat shall follow as closely as possible the path specified by the Chief Judge for the event, such path to include the preparation time before each pass. On the second pass shall be in the opposite direction from the first pass.

10.1.5 Course Dimensions - With Obstacles



An obstacle shall establish the approximate area of the beginning of the wakeboard course from each direction. The end of the pass shall be signified by another obstacle. The distance from the start and end obstacles, will be approximately 370 metres (38 seconds at 35 km/hour or 22 miles/hour). These course dimensions will be used where practical.

10.1.6 Cut-Off buoy

A pair of cut off buoys, approximately 50 metres apart, will indicate the point after which the tow boat will not be able to get up to speed for a rider to continue his run in the second pass. Bright green buoys will be used for the cut off buoy. The position of the cut off buoys will be determined by the Chief Judge and Chief Boat Driver.

10.1.7 Proceeding through the two wakeboard passes

On the first pass the boat shall follow as closely as possible the path specified by the Chief Judge for the event, such path to include the preparation time before each pass. On the second pass shall be in the opposite direction from the first pass.

10.1.8 A rider's wakeboard pass will end

When he falls for the last time or when he passes the obstacle. A rider's last trick will be scored if he leaves the crest of the wake before passing the second obstacle.

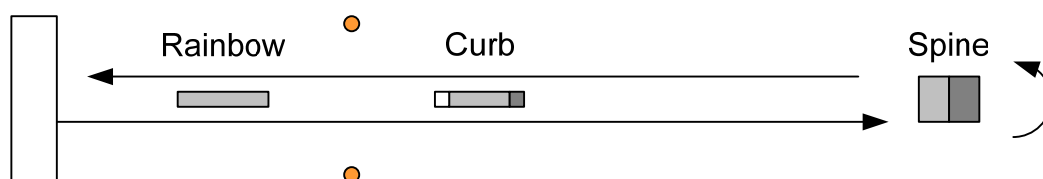
10.2 Double-Up

(Up to the majority of judges to cancel double-up for any category).

Each rider who qualifies for the wakeboard finals will be given a double-up. It is the sole responsibility of each competitor to communicate to the driver before leaving the dock whether he would like a left or right double-up, and where the double-up will occur in the course. Re-rides will not be granted due to any miscommunication between the rider and driver. In the event that the boat provides a double-up in an incorrect direction, the rider must wave off the double-up and not attempt any manoeuvre. If any manoeuvre is attempted, which includes cutting at the wake, the rider will be deemed to have accepted his double up. If a rider waves off the double-up, the boat will then turn around, and proceed with a double-up in the correct direction. Re-rides will not be granted for turbulent water in this instance. However, if through driver error, then a 3 minute delay will be granted to the rider, to allow the water to calm back to suitable conditions. In the final, if a rider's first fall occurs beyond the cut-off (3/4) buoys, the rider will not have any double-up. (In that case, the rider will not be allowed to hit the kicker for safety reason).

10.3 Wakeskate Course

10.3.1 Course Dimensions



The wakeskate course starts at the jetty. No out of course fall.

The end of the pass shall be signified by the last obstacle. The distance from the start and end buoys will be approximately 370 metres (38 seconds at 35 km/hour or 22 miles/hour). Obstacles shall be placed in the middle of the wakeskate course. These course dimensions will be used where practical.

10.3.2 Cut-Off buoy

A pair of cut off buoys, approximately 50 metres apart, will indicate the point after which the tow boat will not be able to get up to speed for a rider to continue his run in the second pass. The position of the

cut off buoys will be determined by the Chief Judge and Chief Boat Driver.

10.3.3 Proceeding through the two wakeboard passes

The boat shall follow as closely as possible the path specified by the Chief Judge for the event, such path to include the preparation time before each pass. The second pass shall be in the opposite direction from the first pass.

A rider's wakeskate pass will end when he falls for a third time or when he passes the last obstacle.

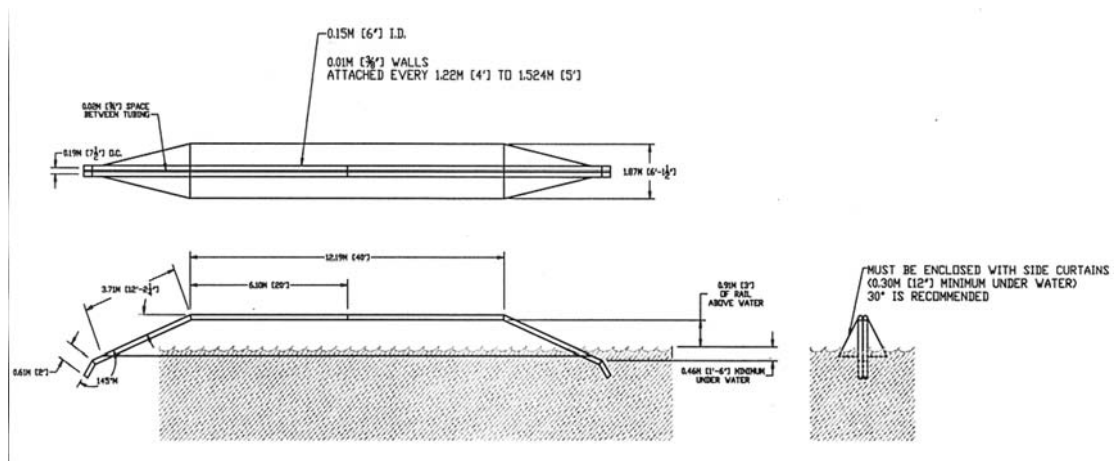
10.3.4 Double-Up

There is no double up for wakeskating.

11 OBSTACLES

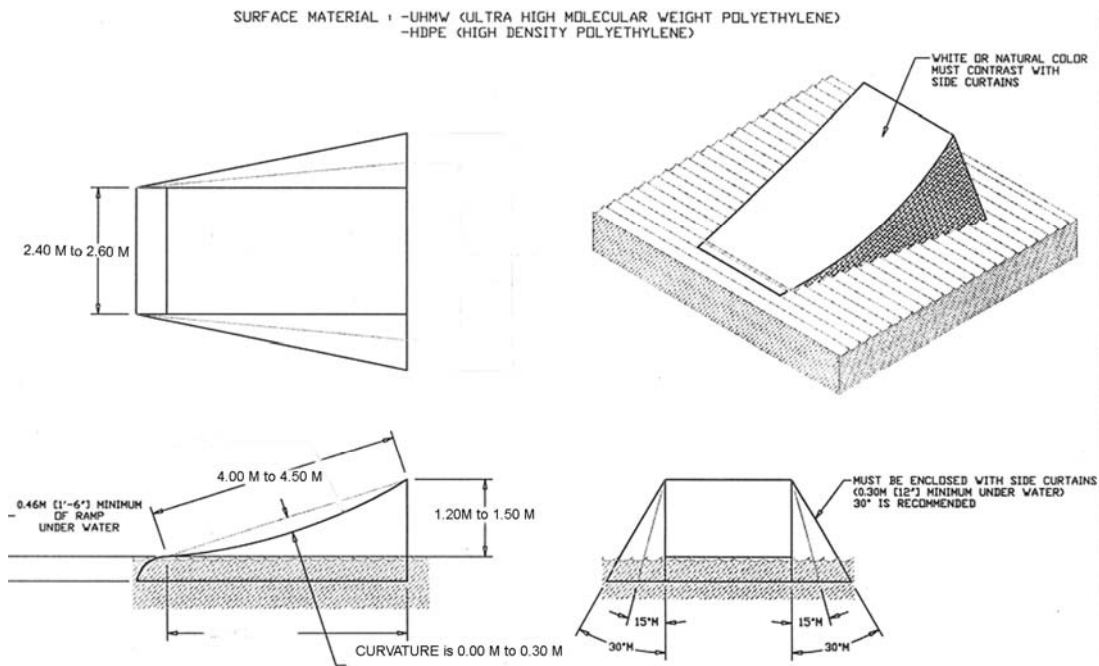
There will be two obstacles in the wakeboard course:

11.1 Rainbow Slider Or Flat Bar Slider:



- Sliding surface: 2 x 0.15 metre inner dimension high density pyloethelene tubings or 0.20 – 0.30 metre flat bar.
- Height: From 0.70 metres to 0.90 metres
- Length of Flat Bed: From 10.00 metres to 12.00 metres
- Incline: From 12 degrees to 22 degrees

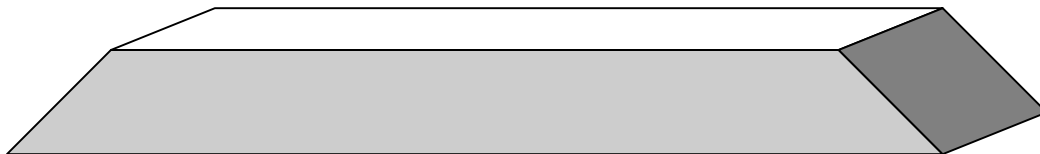
11.2 Kicker:



- Height: From 1.20 metres to 1.50 metres
 Length of Surface: 4.00 metres to 4.50 above waterline
 Width at All Points: 2.40 metres to 2.60 meters
 Curvature: 0.00 to 0.30 metre from straight line

There will be three obstacles in the wakeskate course including a rainbow slider:

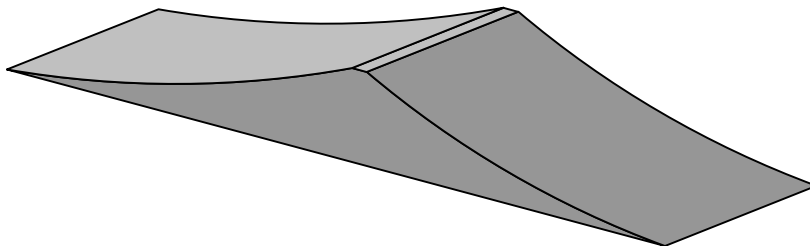
11.3 Curb



Stainless steel structure, impact, UV and water resistant plastic sliding surface, and reinforced polystyrene floaters. (Sharper flat "not rounded")

- Length: 10 metres (top level) 10.40 metres (water level)
 Incline: 0.45 metre
 Height: 0.45 metre

11.4 Spine Slider



Stainless steel structure, polyester and Fibreglas sliding surface, and reinforced polystyrene floaters. (No flat transition but with a curvature 0.15 M)

- Length: From 4.0 metres to 4.5 metres
 Width: From 2.0 metres to 2.5 metres

Height:	From 0.45 metre to 0.60 metre
Attack angle μ :	20 degrees to 25 degrees
Curvature:	0.15 metre from straight line

However, in certain cases, the Chief Judge with the majority of judges may make the decision where to place these obstacles in the wakeboard or wakeskate course. Riders are encouraged to hit these obstacles to add variation to their routines. Riders competing in all categories will be permitted to hit the obstacles.

12 BOAT SPEED & ROPE LENGTH

Each rider shall receive his choice of a constant speed through the course for each pass, and preferred rope length. The boat speed, assuming it is held constant before entering the course, is the rider's responsibility.

The rider shall use the standardized Tour signals and not cause the boat to stop, if possible. Deliberate use of delaying tactics will be considered unsportsmanlike conduct and will subject the rider to fines or disqualification. The following signals apply to addition to well-known riding signals. Use in combination as applicable.

1. Thumb(s) up means go faster
2. Thumb(s) down means go slower
3. Pointing at an item of equipment means a problem with it
4. Pointing back toward object means debris in water
5. Raising hand overhead means request for re-ride
6. Fallen rider must signal to tow boat and safety boat that he/she is OK and/or injured.

13 FALLS

13.1 Falls Wakeboard Freeride

13.1.1 Out-Of-Course Falls

A rider may have one out-of-course fall only before the start of his first pass.

13.1.2 Handle-Throw

The rider may also have one handle-throw before the start of his first pass which will also count as one out-of-course fall.

If a rider throws the handle prior to the start of his first pass to indicate that his rope was incorrectly put on the wrong loop by the officials or Judges in the boat, it will not count as an out-of-course fall.

An out-of-course fall or handle throw before the start of the second pass will count as one in-course fall.

Two falls: A rider may have a maximum of two falls during a routine. Should a fall occur, the boat will pick up the rider to proceed with the routine. The rider will not be picked up after a second fall.

13.1.3 Obstacles

When obstacles are used, a rider's pass will end when he or she has fallen either twice on the water or twice on the obstacles.

During qualifications, LCQ, and semifinal if a first fall occurs after the $\frac{3}{4}$ bouy the ruder will not have any end obstacle.

13.1.4 Example One

A rider falls on a manoeuvre off the wake, and then falls on the slider, the rider will be picked up. But his pass will end if he falls on either an obstacle or water trick.

13.1.5 Example two

A rider falls off the rainbow slider, and then falls off the kicker but has no previous water falls. His pass ends.

The rider must be ready to ride immediately upon the boat's return after the first fall, an out-of-course fall, or handle-throw.

13.2 Falls Wakeskate

13.2.1 Out-Of-Course Fall

A rider may have one out-of-course fall only before the start of his first pass. If the rider chooses to perform a trick off the jetty, and announces so well in advance, any fall between the jetty and the start of his first pass will be counted as a regular fall.

13.2.2 Handle-Throw

The rider may also have one handle-throw before the start of his first pass which will also count as one out-of-course fall. Unless a dock departure well announced in advance.

If a rider throws the handle prior to the start of his first pass to indicate that his rope was incorrectly put on the wrong loop by the officials or Judges in the boat, it will not count as an out-of-course fall.

An out-of-course fall or handle throw before the start of the second pass will count as one in-course fall.

Three falls: Either obstacles are used or not, a rider may have a maximum of three falls during a routine. Should a fall occur, the boat will pick up the rider to proceed with the routine. The rider will not be picked up after a third fall, or after a fall that occurs beyond the cut-off $\frac{3}{4}$ -buoy in the second pass.

The rider must be ready to ride immediately upon the boat's return after a fall, an out-of-course fall, or handle-throw.

14 HOMOLOGATION FEES

14.1 General

Any sanctioned or homologated national event open to international riders must be homologated as an international event to the IWSF Region EAME.

14.2 National Championship

One event is free (If a series, the last one)

National Event: 100 €

International Event: 200 €

Cash Prize: 10% amount of the cash prize.

(Minimum 400 €– maximum 2500 €)

In addition, it is up to the Chairman of the Wakeboard Council to find other agreements.

For homologated competitions there must be 3 judges, all must be recognised by the IWSF-EAME WC.

14.3 International

If five or more countries are represented at the event at least two of the judges must be of International Level 1 standard, and the rest of at least International Level 2 / National Level 1 standard.

If less than five countries are represented at the event at least one of the judges must be of International Level 1 standard, and one of at least International Level 2 / National Level 1 standard.

14.4 European Championship

All judges must be of International Judge (Level 1) standard.

14.5 World Championships

All judges must be of International Judge (Level 1) standard.

15 REGISTRATION

All competitors must be members of their respective Federation. All competitors must be able to show his/her international license at any homologated event. Prior to competing, a competitor must sign a participation contract and understand the nature of the sport and its special risks, particularly in the format. It is the responsibility of the competitor to register with the designated registration person and show proof of Federation membership before riding. Competitors must disclose to the event organiser any special medical conditions, including but not limited to, injuries in the past or present or other pre-existing medical conditions. A document may be sign by all riders at the registration.

16 OFFICIALS

Chief Judge -2 Assistant Judges - Calculator - Driver – Jetty Marshal

17 EUROPEAN WAKEBOARD RANKING LIST

An IWSF-EAME ranking list will be created and results collected from Nationals, Internationals homologated events, the European Wakeboard Pro Tour, the Europeans & the IWSF- Worlds. Each National Federation must provide to their national and international riders the EAME wakeboarding license, which permit their athletes to take part at the ranking List. National Federations can order the licenses through the EAME Wakeboard Council website www.wakeboardcouncil.com, and they can get the password by asking the EAME bureau. From 2004 the license is free of charge.

18 RULES FOR WAKEBOARD JUDGES

18.1 General Responsibilities

All wakeboard judges, regardless of level, must attend one Judging Seminar each year or judge in their levels during the year to retain their status.

All judges must forward suggestions and questions of a rider's concern to the appropriate national association or to the Wakeboard Council.

18.2 Assistant Judge (National Level 3)

18.2.1 Seminars

The prospective judge should actively seek out and attend judging seminars associated with the sport.

18.2.2 Responsibility

Assistant judges are designated by and on the responsibility of their respective federations. They must be members of their federation and remain so in order to retain their position as Assistant Judge. All candidates must be 16 years or over.

18.2.3 Functions

Assistant judges are qualified to officiate at all competitions up to but not including Normal Homologation.

18.2.4 Examinations

A short introductory course will result in the candidate becoming an Assistant Judge culminating in a written examination - with an 80% pass mark. Assistant judges will be encouraged to progress on to become National Level 2 standard.

18.3 National Judge (National Level 2)

18.3.1 Responsibility

Second Class judges are designated by and on the responsibility of the IWSF-EAME WC.. They must be members of their respective federations and remain so in order to retain their qualification. All candidates must be aged 18 years or over. (Prior to taking their exam all candidates must have acted as an assistant official at 4 National Calendar competitions).

18.3.2 Functions

National Level 2 Judges are qualified to judge at Normal Homologation National Competitions.

18.3.3 Examinations

The IWSF-EAME WC. is responsible for organising and correcting examinations for candidates. The exam consists of two parts, one written and one practical.

18.3.4 Written Examination

The exam tests that the candidate has a basic knowledge of the rules. An 80% pass mark is required.

18.3.5 Practical Examination

The exam is a trick reading examination that must take place either during a seminar or the course of a single event. The examiner present must be of an International Level 1 standard. The candidate shall write the trick runs of different competitors at which he takes the examination. He is not required to judge whether tricks are performed according to the rules or not.

Each of the following will be counted as one error:

- Omitting to write a trick performed by a competitor during the pass or immediately before or after the pass
- Writing a trick, which was not performed by the competitor
- Writing a trick other than the trick the competitor performed

Only passes which contain three or more inverts will be considered. Each such pass with zero or one error will be counted as a success. Each such pass with two or more errors will be counted as a failure. The pass mark is achieving 12 successes before having 6 failures.

18.4 National Chief Judge (National Level 1, International Level 2)

18.4.1 Responsibility

First Class National Judges (or Second Class International Judges) are designated by and on the responsibility of the IWSF-EAME WC.. They must be members of their respective federations and remain so in order to retain their qualification. All candidates for First Class National Judge (or Second Class International Judges) must be aged 18 or over. Prior to taking their exam, all candidates must have acted as an official at 4 National Calendar competitions.

18.4.2 Functions

First Class National Judges (or Second Class International Judges) are qualified to judge at Normal Homologation National Competitions and European Competitions.

18.4.3 Examinations

The IWSF-EAME WC. is responsible for organising and correcting examinations for candidates for nomination as First Class National Judges (or Second Class International Judges). The exam consists of two parts, one written and one practical.

18.4.4 Written Examination

The exam tests that the candidate has a basic knowledge of the rules. An 80% pass mark is required.

18.4.5 Practical Examination

The exam is a trick reading examination that must take place either during a seminar or the course of a single event. The examiner present must be of an International Level 1 standard. The candidate shall write the trick runs of different competitors at which he takes the examination. He is not required to judge whether tricks are performed according to the rules or not.

Each of the following will be counted as one error:

- Omitting to write a trick performed by a competitor during the pass or immediately before or after the pass
- Writing a trick, which was not performed by the competitor
- Writing a trick other than the trick the competitor performed

Only passes which contain three or more inverts will be considered. Each such pass with zero or one error will be counted as a success. Each such pass with two or more errors will be counted as a failure. The pass mark is achieving 12 successes before having 6 failures.

18.4.6 RenIWSF-EAME WC.I of Nominations

The conditions of renIWSF-EAME WC.I of nominations as International judges are the responsibility of the IWSF-EAME WC..

18.4.7 Maintaining Qualification

Must judge at minimum of 2 National events, 1 International event (each year) or to attend Judging Seminar.

18.5 International Judge (International Level 1)

18.5.1 Responsibility

First Class International Judges are designated by and on the responsibility of the IWSF-EAME WC.. They must be members of

their respective federations and remain so in order to retain their qualification. All candidates for First Class International Judge must be aged 18 or over.

18.5.2 Functions

First Class International Judges are qualified to judge European and World Competitions.

18.5.3 Examinations

The IWSF-EAME WC. is responsible for organising and correcting examinations for candidates for nomination as First Class International Judges. The exam consists of two parts, one written and one practical.

18.5.4 Written Examination

The exam tests that the candidate has a basic knowledge of the rules. An 80% pass mark is required.

18.5.5 Practical Examination

The exam is a trick reading examination that must take place either during a seminar or the course of a single event. The examiner present must be of an International Level 1 standard. The candidate shall write the trick runs of different competitors at which he takes the examination. He is not required to judge whether tricks are performed according to the rules or not.

Each of the following will be counted as one error:

- Omitting to write a trick performed by a competitor during the pass or immediately before or after the pass
- Writing a trick, which was not performed by the competitor
- Writing a trick other than the trick the competitor performed

Only passes which contain three or more inverts will be considered. Each such pass with zero or one error will be counted as a success. Each such pass with two or more errors will be counted as a failure. The pass mark is achieving 12 successes before having 6 failures.

18.5.6 RenIWSF-EAME WC.I of Nominations

The conditions of renIWSF-EAME WC.I of nominations as International judges are the responsibility of the IWSF-EAME WC..

18.5.7 Maintaining Qualification

Must judge at minimum of 2 National events, 1 International event (each year) or to attend Judging Seminar.

19 EUROPEAN CHAMPIONSHIPS

19.1 Competition Site During Wakeboard Or Wakeskat EAME Championships

Once the Wakeboard or Wakeskate Course has been settled down in accordance with the Chief Judge, (three days prior the event) use of the site is not permitted until the completion of the competition.

There will not be any official familiarisation. (Organiser, however, has the option to provide paid practice using the boat of their choice without the wakeboard or wakeskate course, official boat & obstacles).

Registration will be close one day before the event. (11.00 AM)

19.2 Categories at the Wakeboard Or Wakeskate EAME Championships

Competition entry at the Wakeboard or Wakeskate EAME Championships will be strictly by age with the exception of the Open category.

There will be a minimum of 6 riders required to open a category. The Chief Judge will inform all participating Federations as soon as feasibly possible if there are insufficient riders within a category.

A rider will only be allowed to enter one category, either his age-group category or the Open category.

The Chief Judge will ensure that all riders' passports are checked for verification of age.

19.3 Entry Requirements For Wakeboard Or Wakeskate EAME Championships

19.3.1 Rider Eligibility

A Federation may select its team in any manner it desires; however, each team member must be a citizen or applying for citizenship of the country which the Federation represents. In case of doubt as to the nationality of a competitor, the Judges normally will refer to his passport. If a rider does not have a passport from the country he is representing, he must prove residence in the country for at least five years and membership in an affiliated club of the Federation. Each Federation shall certify that all members of its team meet these qualifications.

19.3.2 Competition Entry

A rider may compete in the Wakeboard or Wakeskate EAME Championships as either a team representative or individual.

19.3.3 Team Scoring

A team will comprise of a maximum of 8 riders, with a maximum of 2 riders in the same category. Although it is encouraged to have a mixed participation with men and women riders within a team, it is not compulsory. Federations must nominate their team riders before the specified deadline posted in the first Wakeboard or Wakeskate EAME Championships' Bulletin distributed by the host Federation. The best 6 scores will be taken for country classification. In case of equality will be taken the best 7 scores.

19.3.4 Individual Entries

Riders who are not part of a team may compete as individual. An individual rider's entry must be submitted through his respective Federation. Federations will decide the criteria for an individual rider's entry. There is currently no restriction to the number of riders who enter the Wakeboard or Wakeskate EAME Championships as individuals.

19.4 Team Scoring At Wakeboard Or Wakeskate EAME Championships

With the use of the heat system, there will be instances where riders have finished in a joint position with a rider in a different heat. The relevant placing points will therefore be given to each individual.

Please note that points are not awarded after each qualification round. Each team rider will be awarded the following point's dependant on his place in the final, semi final or LCQ.

1st place	100 points
2nd place	80 points
3rd place	65 points
4th place	55 points
5th place	45 points
6th place	35 points
7th place	30 points
8th place	25 points
9th place	20 points
10th place	17 points
11th place	14 points
12th place	11 points
13th place	8 points
14th place	6 points
15th place	5 points
16th place	4 points
17th place	3 points
18th place	2 points
19th place	1 point
20th place and all subsequent riders	receive 1 point each

19.5 Protests

Protests shall be made to the Chief Judge only by a team representative. Protest must be made in writing, must state the reason(s) for the protest, and must be filed as soon as possible, but no later than 10 minutes after the occurrence or after the results of the event are announced. A team list must be posted prior the event. No protest concerning the team composition will not be permitted after the start of the competition.

19.6 Competition Format

19.6.1 Judging of the routine begins

Wakeboard: when the rider enters the wakeboard course and ends when the rider exits the wakeboard course, falls for the last time, or completes his/her double-up (finals only).

Wakeskate: when the rider leaves the jetty and ends when the rider exits the course or falls for a third time. There is no double up for Wakeskate.

Riders are encouraged to perform a smooth flowing routine with a wide variety of tricks. Each manoeuvre should be executed as cleanly as possible and taken to its limit.

19.6.2 Boat (Scoring) Judges

The Chief Judge will designate three Boat Judges, to be seated in the tow boat, to score each rider's routine.

Scoring: Judges will award a maximum of 100 points to each rider based on their overall impressions of the routine performed. The judges will score each rider in each of the following categories:-

19.6.3 Execution – 25 Points

This reflects the level of perfection to which each manoeuvre was performed, as well as the successful completion of the routine with a minimum number of falls

19.6.4 Intensity – 25 Points

This reflects how big the moves were performed, as well as the technical difficulty of the tricks executed.

19.6.5 Tricks Composition – 25 Points

This reflects the overall composition of the routine in terms of the rider's ability to perform a variety of manoeuvres in a flowing, creative sequence.

19.6.6 Obstacles Composition – 25 Points

The 25 extra points reflects the execution, intensity and composition of the rider on the obstacles.

19.7 Officials

Chief Judge – Assistant Chief Judge - 2 Judges - Calculator – 2 Drivers – Jetty Marshal

19.8 Obstacles

There will be two obstacles in the wakeboard course at the IWSF-EAME Wakeboard Championships:

1. Rainbow Slider: may be hit twice
2. Kicker

There will be three obstacles in the wakeskate course at the IWSF-EAME Wakeboard Championships:

1. Full Rainbow Slider
2. Curb
3. Spine Slider

19.9 Schedule Changes & Cancellation Of Events During Wakeboard Or Wakeskate EAME Championships

Changes in the schedule during the competition shall be made only for weather, water conditions, safety, or a similar reason. Such changes will be announced at a riders' or team captains' meeting, and by posting.

The finals of each category must be completed to determine a winner, even if the Judges are obliged to continue it at a different site. If a final cannot be completed, all riders from the event will compete again where and when possible, until a winner is determined

19.10 Special 2006 Recommendations

19.10.1 Late Entry

A late entry fee of 10 € per day per competitor shall be levied on each entry not received 10 days before the end of registration.

19.10.2 Judges Clothing

At prize giving, opening ceremony & competition: Official clothes provided by organisation.

This bulletin must be approved by the President of the Division before any sending.

19.10.3 Transport

Organisers are not obliged to provide transport for teams free of charge other than between the official hotel or approved accommodation to and from ceremonies and social functions.

Such transport shall also be provided free of charge for Officials. Renting a car for officials is recommended.

19.10.4 Water

Organisers are obliged to provide fresh water for competitors and officials free of charge.

20 BYE-LAWS (PARTLY)

The points under this paragraph are included for informational reasons only and are excerpts from the Bye-Laws of the IWSF Region EAME Vademecum. In case of any differences between these Additional Rules and the Bye-Laws of the IWSF Region EAME, the latter will be applicable, and all the rules included in the latter but not included here are applicable. In any case where the terms “water ski” and “skier” are used they are equivalent to the terms “wakeboard” and “rider”.

20.1 4.4 Calendar

Fines for late notification:

1. November 30th - finalized date for all events with EAME or European in the title.
2. January 15th - finalized date for all other international competitions and National Championships.
3. If competitions are added to the calendar after the Congress, the following fines will be levied:
 - Fine till March 1st: 100 €
 - Fine from March 2nd till May 31st: 200 €No competitions will be added to the calendar after May 31st.
4. Fine for changing the dates or place of a calendar competition after March 1st = 100 €
5. Fine for cancelling a calendar competition after March 1st = 200 €
6. The fine for cancelling European Championships will be according to the Letter of Agreement and Obligations.
7. These fines are to be decided upon by the relevant Council who can deem that a “force majeure” situation voids the fine. The Council will send the list of the approved fines to the EAME Office, which will send the invoices to the Federations concerned.

20.2 4.5.1.3. Rules of Eligibility for competitors

A competitor who competes in Region EAME in a Water ski competition not sanctioned by Region EAME or a National Federation, may not be eligible for any Region EAME Titled Event for a period of 12 months.

20.3 4.5.1.4. Rules of Eligibility for Officials

An Official who takes part in a Water ski competition not sanctioned by the host Region or his National Federation may have his official qualification suspended for a period of 12 months.

20.4 4.5.1.5. Late Entries for titled events

Unless otherwise specified in the Technical Rules of a division, the following will apply:

A late entry fee of 10 EURO per day per competitor shall be levied on each entry not received 10 days before the end of registration.

Late entries will only be accepted with the consent of the Organizer and Chief Judge.

20.5 4.5.1.6. Teams not showing up

A Federation team failing to show up having sent in an entry to a Titled Event shall nevertheless have to pay the full entry fee for all the skiers announced - unless a valid written excuse is received by the end of registration.

20.6 4.5.1.8. Prize-giving ceremony

The competitors in the first three positions shall be called to mount the podium in order 3rd, 2nd, 1st. After the medals are presented the competitors' national flags are being hoisted and the national hymn of the winner's country is played.

20.7 4.5.1.9. Dress at Award Ceremonies

It is the responsibility of each National Federation to ensure its medal winners wear their team uniform appropriate to the place of the ceremony.

20.8 4.5.2. Cash Prize Competitions

This rule shall only apply where the value of the Cash Prize (see definitions) exceed 2.000 EURO.

Full details of the total value of the Cash Prize must be notified to two of the following - the President of Region EAME, the Secretary General, the Administrative Office, so as to be received no later than 7 days after the event.

Failure to comply will result in an automatic increase in the levy of 10%, which shall be applied even if the resulting total levy becomes in excess of the stated maximum in article 4.10.3.

In competitions in which the Cash Prize total is up to 7.000 EURO, (CP2), the expenses of the judges and officials for travel and board and lodging covering the period from on day before the competition to either its conclusion or the morning afterwards, depending on the end of the competition, are to be paid by the organizer. Travel shall be paid up to a maximum of 200 EURO.

In competitions in which the Cash Prize is more than 7.000 EURO, (CP1), the expenses of the judges and officials for travel and board and lodging covering the period from on day before the competition to either its conclusion or the morning afterwards, depending on the end of the competition, are to be paid by the organizer. Travel shall be paid up to a maximum of 700 EURO.

Where air fares are payable they shall be at APEX rates from their own country where available. If the Official pays a higher amount for any reason he will be reimbursed on the APEX fare basis from his own country.

Where surface travel is more practical than air travel the amount payable shall be 2nd class rail fare and ferry.

If a Cash Prize event is downgraded or extended in duration, the Organizer must advise the relevant Council Chairman, the Administrative Office and all appointed Officials at least 60 days before the event. Any appointed Official shall have the right to withdraw from the event up to 42 days before the first day of competition.

A withdrawing Official must notify the Organizer, the relevant Council Chairman and the Administrative Office.

The responsibility to replace a withdrawing Official is that of the Organizer.

When a persisting financial disagreement occurs between the Bureau and the National Federation responsible for the organization of the competition, a vote of the Admincom will be taken within 14 days of the request of that Federation. The vote will be concerned only with two amounts: that proposed by the Bureau and that proposed by the National Federation.

20.9 4.7. Invitation protocol

Federations shall ensure that a competition organiser does not accept the entry of a competitor who is not a member of his national Federation or who belongs to another Federation which has advised the Federation that this athlete is not allowed to compete.

20.10 4.8. Expenses reimbursed to Officials

The currency to be used for hotel and other expenses (by officials and competitors) should always be the local currency unless, when the bid for a competition was received, notice of other currency requirements were made and approved by the Admincom.

Any expenses repayable by the organiser to Officials must be paid at the beginning of the competition and shall be in a currency which can be legally taken out of the country.

20.11 4.9. Recognition of non-specified Officials

A member of the Admincom or a Divisional council presenting his official Region EAME card shall be given due recognition at any EAME Titled event.

20.12 4.13. Obligations of Officials and the relevant Council Chairman

Officials, whether or not appointed to an event, shall act in a proper manner in keeping with their responsibilities.

At all times they shall:

- Act impartially, completely disregarding nationality.
- Be in possession of and follow scrupulously and conscientiously all rules and regulations published by the IWSF and Region EAME.
- Comply with the decisions of the Chief Judge and/or the Jury, taken within their authority.
- Make no personal comments, either in private or in public, on matters which are or have been the subject of discussion within the Jury.
- Uphold the authority and dignity of the IWSF and Region EAME.

Attend all events to which they have been appointed unless having given prior reasonable notice to the organisers and the relevant Council Chairman.

In the case of an infraction sanctions varying from a written warning to temporary or permanent exclusion from IWSF activities may be applied by the appropriate authority (see art. 5.2). Appeals procedure shall be as art. 5.3.

21 GUIDELINES (PARTLY)

The points under this paragraph are included for informational reasons only and are excerpts from the Guidelines of the IWSF Region EAME Vademecum. In case of any differences between these Additional Rules and the Guidelines of the IWSF Region

EAME, the latter will be applicable, and all the rules included in the latter but not included here are applicable. In any case where the terms "water ski" and "skier" are used they are equivalent to the terms "wakeboard" and "rider".

21.1 XIV. Ceremonies

For the Opening and Closing ceremonies consideration shall be given to the skiers. Skiers shall not be required to stand for long periods, especially in inclement weather and speeches shall be short.

Any Opening ceremony shall be held on the first day of skiing.

At the Opening ceremony a skier of the host Federation will take the athlete's oath by raising his or her right hand and saying: "On behalf of the athletes I promise we will participate in this _____ (championships) with respect for the Rules and our fellow competitors in order to exalt the glory of sport and the honor of our teams and in accordance with the Olympic Spirit."

In the same way a Judge of the host nation will say: "On behalf of the Judges and Officials, I promise we will perform our duties at this _____ (championships) by respecting the Rules and being impartial and honest in our decisions in order to exalt the glory of sport and in accordance with the Olympic Spirit."

Any Award ceremony shall not be held late at night.

It is recommended that all medal presentations are made at the site.

Medals shall be provided by EAME and awarded in accordance with its Region Bye-Laws and Additional Rules of the Division. The medals ceremonies shall be organized under the responsibility of the EAME representative.

If there is a dinner where medals are presented, it shall be free of charge for teams and officials.

21.2 XVIII. Hospitality

Transport in both direction's between airport/railway station and hotel, and also between hotel and site, plus refreshments and meals shall be provided free of charge for officials appointed in accordance with the Additional Rules of the Division and the appointed EAME representative on the site during training and the competition. They shall be provided with passes, admission to the tournament site, grandstand, car park and tickets for official receptions and banquets.

Competitors and up to two team officials shall be entitled free of charge to tickets for any final or presentation banquet unless the amount payable and specified currency is announced at the time the bid is made and duly approved by Congress/Administrative Committee/or the Bureau.

Access to the judge's tower shall only be with the approval of the Chief Judge to those officially assigned the prescribed pass or badge.

Organizers are not obliged to provide meals for competitors and team officials free of charge. Meals and refreshments shall be available on site at reasonable cost and be of reasonable quality.

It is not mandatory for the spouse/partner of appointed Officials to be provided with meals on site or banquets at no cost but they must be provided with the opportunity to buy tickets and be invited to official receptions and provided with seats in any grand stand or VIP area.

1. On the day or days of arrival there shall be a secretariat provided for checking in procedures and assisting with hotel accommodation.

2. The organisers shall provide all the accommodation, equipment, facilities and personnel as are required by the Additional Rules of the relevant Division.
3. Bulletins, announcements, results, information sheets, etc, both oral and written, shall be made in English.
4. Official cards issued by EAME shall be respected. Free entry to the site, grandstand, VIP area and parking shall be made available as appropriate to these cards.

21.3 5. To The Chief judge Of EAME Titled Events

It is your responsibility to check if the entries have been received by the organiser in time (10 days before the start of the familiarization or, when not held, 10 days before the start of the Championships).

You will receive with this message the date from which late entry fees applies.

If the organiser has received the entries in time, no fee applies. The late entry fee is 10 Euros per skier and per day, i.e. 5 skiers 3 days late = 150 Euros.

It is up to you to make the control yourself or to delegate it to the Chief Calculator or any other reliable person.

Late entries must be paid by the team captain before the start of the competition. If he prefers he can also sign the attached form confirming that the invoice can be sent to his Federation.

Once everything is finished you can hand over the money received and/or the signed forms to the official EAME representative.

22 LETTER OF AGREEMENT AND OBLIGATIONS FOR TITLED EVENTS (PARTLY)

The points under this paragraph are included for informational reasons only and are excerpts from the Letter of Agreement and Obligations for Titled Events of the IWSF Region EAME Vademecum. In case of any differences between these Additional Rules and the Letter of Agreement and Obligations for Titled Events of the IWSF Region EAME, the latter will be applicable, and all the rules included in the latter but not included here are applicable. In any case where the terms "water ski" and "skier" are used they are equivalent to the terms "wakeboard" and "rider".

22.1 II. Exceptions To The Obligations

The Administrative Obligations are a guide. Special considerations might dictate the negotiation of exceptions or changes to be approved by the Bureau.

Should a site inspection be required by the Council concerned, the Council will appoint a person to inspect and report on the site. Their travel and accommodation costs shall be the responsibility of the Federation bidding for the event.

The Technical Obligations are non-negotiable.

22.2 VIII. Bulletins And Information

A bulletin must be sent out to all Federations, appointed Officials, plus the President and Secretary General of EAME and the President and Secretary of the Division, at least 90 days before the start of the event containing all relevant technical information together with details of the site, hotels with prices, local transportation and full details of entry fees and how they shall be paid.

Details of credit cards accepted by nominated hotels shall be circulated in the bulletin.

Should the information not have been received, Federations and Officials are expected to contact the Organiser for details in order to be able to make travel arrangements at the most favourable rate.

If as a result of the delay an official were unable to obtain the most favourable rate, then the Organiser shall be responsible for the excess.

22.3 XII. Press, Publicity And Results

A Press Officer shall be appointed by the Organiser who shall be responsible for the proper accreditation of the working press and the issue of such passes as may be necessary for duly accredited journalists and photographers. He shall be responsible for the issue of prompt News Releases.

Adequate facilities for the press should be provided including facilities for electronic mail and Internet, semi-private telephone lines (pay phones may be used) and fax.

Other facilities that may be deemed desirable should be provided in order full and adequate coverage of the event may be facilitated to obtain the maximum possible publicity, press and TV coverage for the tournament. The Organiser shall not enter into any exclusive agreement with any news service. All rights belong to EAME.

Reasonable access to competition areas shall be granted to members of the working press. The Chief Judge and Security Officer shall have authority to deny access which they believe is in conflict with the proper conduct of the tournament.

Press credentials shall not permit access to the judges' tower or other areas where judges or calculators are working.

The Chief Judge and Security Officer shall have the authority to order the immediate removal of any camera or other equipment, which in his opinion constitutes a hazard or distraction or interferes with the judging of the event.

The Press Officer shall prepare a Press pack containing background information, summary of the rules, brief details of the skiers' competition careers, records etc.

The Organiser shall prepare complete competition results for distribution not later than the prize-giving ceremony or awards banquet as follows:

- 1 copy to each other appointed official
- 1 copy to each Team Captain
- 1 copy to the President of EAME*
- 1 copy to the Secretary General of EAME*
- 1 copy to the Treasurer of EAME*
- 1 copy to the President of Council concerned*
- 1 copy to the secretary of Council concerned*

* If not present, copy to be sent by post within 7 days.

The Organiser shall appoint a person in charge of the publication of the results on the internet and shall provide facilities with an easy access to email servers and for data transferts.

22.4 XV. Flags

Organisers are responsible for providing national flags for all participating countries sufficient in number to cover presentations - i.e. 3 from one country.

National anthems for all EAME countries are available to organisers upon request.

22.5 XVI. Transport

Organisers are not obliged to provide transport for teams free of charge other than between the official hotel or approved accommodation to and from ceremonies and social functions.

Such transport shall also be provided free of charge for Officials.

On prior request of a participating member Federation the organisers shall make transport arrangements for competitors in both directions between the airport/railway station and hotel, and also between the hotel and the site. The cost of such transport shall be borne by those who ask for it.

To avoid misunderstanding it is recommended that the Organiser and the participating member Federation confirm the terms in writing.

22.6 XVII. Accommodation

Each Federation shall be responsible for paying the board and lodging of its team members and team officials except where the Organiser has offered to do so or where otherwise stated in these Obligations.

Unless specified in the bid and approved by the Administrative Committee, hotel and other expenses payable by Officials and competitors shall be in local currency. Any expenses repayable by the Organiser to Officials shall be in a currency that can be legally taken out of the country.

22.7 XVIII. Hospitality

Transport in both direction's between airport/railway station and hotel, and also between hotel and site, plus refreshments and meals shall be provided free of charge for officials appointed in accordance with the Additional Rules of the Division and the appointed EAME representative on the site during training and the competition. They shall be provided with passes, admission to the tournament site, grandstand, car park and tickets for official receptions and banquets.

Competitors and up to two team officials shall be entitled free of charge to tickets for any final or presentation banquet unless the amount payable and specified currency is announced at the time the bid is made and duly approved by Congress/Administrative Committee/or the Bureau.

Access to the judges tower shall only be with the approval of the Chief Judge to those officially assigned the prescribed pass or badge.

Organisers are not obliged to provide meals for competitors and team officials free of charge. Meals and refreshments shall be available on site at reasonable cost and be of reasonable quality.

It is not mandatory for the spouse/partner of appointed Officials to be provided with meals on site or banquets at no cost but they must be provided with the opportunity to buy tickets and be invited to official receptions and provided with seats in any grand stand or VIP area.

1. On the day or days of arrival there shall be a secretariat provided for checking in procedures and assisting with hotel accommodation.
2. The organisers shall provide all the accommodation, equipment, facilities and personnel as are required by the Additional Rules of the relevant Division.
3. Bulletins, announcements, results, information sheets, etc, both oral and written, shall be made in English.

4. Official cards issued by EAME shall be respected. Free entry to the site, grandstand, VIP area and parking shall be made available as appropriate to these cards.

22.8 Recommended Schedule For Wakeboard European Championships

The schedule has been drawn up on an estimated 80 skiers. Should any Federation running the Championships wish to change this schedule, they of course can further discuss the matter with the EAME Wakeboard Council.

TUESDAY	P.M.	End Registration
WEDNESDAY	P.M.	Opening Ceremony
THURSDAY	A.M.	Preliminary Rounds
SUNDAY		Finals
	Evening	Final night banquet

22.9 Appendix – A : Entry Fees

Division & Event	Entry Fee per skier	Split to EAME	Split to Organiser	Medals to be paid by

Wakeboard/ Wakeskate Boat - Open	135 €	67,50 €	67,50 €	Organiser
Wakeboard/ Wakeskate Boat - Juniors	100 €	50 €	50 €	EAME